



ENGINE

Model	: Mercedes-Benz OM 926 LA
Type	: D926.929 EU Stage 3A
No.Of Cylinders	: 6
Displacement	: 7200 cc
Net Power	: 187 PS - 214 PS (140 - 160 kW) @2200 rpm
Max torque	: 1000 Nm @ (1200 - 1600 rpm)

TRANSMISSION

- Powershift (planetary gear, electro hydraulically actuated) with 8 speeds for both forward and reverse

DIFFERENTIAL AND FINAL DRIVE

- Double-reduction by spiral bevel and planetary gears with operator controlled hydraulically lock/unlock differential.

FRONT AXLE

Oscillation	: 15° Left or Right (Total 30°)
Wheel lean	: 20° Left or Right (Total 40°)
Ground Clearance	: 595 mm

BRAKES

Service Brakes	: Air-actuated, multi disc oil cooled on all four rear wheels
Parking Brake	: Spring-engaged, air disengaged multi disc oil cooled on T/M output shaft

TIRES

- 14,00-24-16 PR (G-2)

HYDRAULIC SYSTEM

Circuit	: Closed-center system, with load sensing using electro-hydraulic valve.
Oil pump	: Variable-displacement piston pump
Capacity	: 192 L/min
Max. Working Pressure	: 172 bar
Steering Circuit	: 25 cm ³ /rev

BLADE

Type	: Wear resistant steel, with box section reinforcement with hydraulic side shift.
Length x Height x Thickness	: 3710 mm x 610 mm x 19 mm
Max. Blade Lift Above Ground	: 525 mm
Circle turning angle	: 360°
Max. Bank Cutting Angle	: 90°
Cutting angle	: 39° to 85°

PERFORMANCE (SPEEDS)

Direction	Gear	Speed (km/h)
Forward	1 st	4
	2 nd	5,4
	3 rd	8,2
	4 th	11,2
	5 th	16
	6 th	21,6
	7 th	32,9
	8 th	45,2
Reverse	1 st	3,7
	2 nd	5,0
	3 rd	7,6
	4 th	10,5
	5 th	15
	6 th	20,3
	7 th	30,9
	8 th	42,4
Minimum Turning Radius	: 6,9 m	

DIMENSIONS

Overall length	: 11106 mm (With front blade and rear ripper)
	: 10188 mm (With front weight and rear ripper)
	: 8944 mm (Without any attachment)
Overall width	: 2440 mm
Overall height	: 3400 mm
Wheelbase	: 6250 mm
Ground Clearance	: 380 mm

WEIGHT

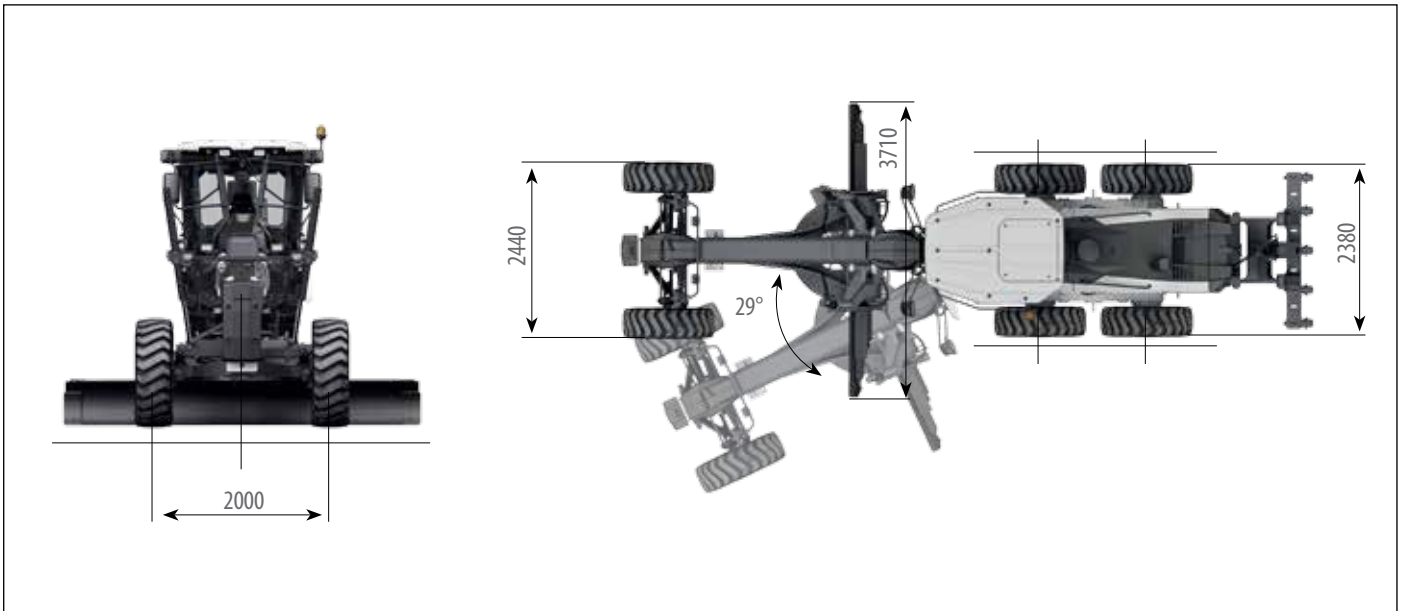
Operating weight (with standard equipment) : 18.470 kg

Operational weight, complying with the ISO 6016 standards, includes full fuel tank, hydraulic system and other liquids, 75kg operator weight and standard equipped machine weight. Optional equipments are not included.

HMK 600 MG

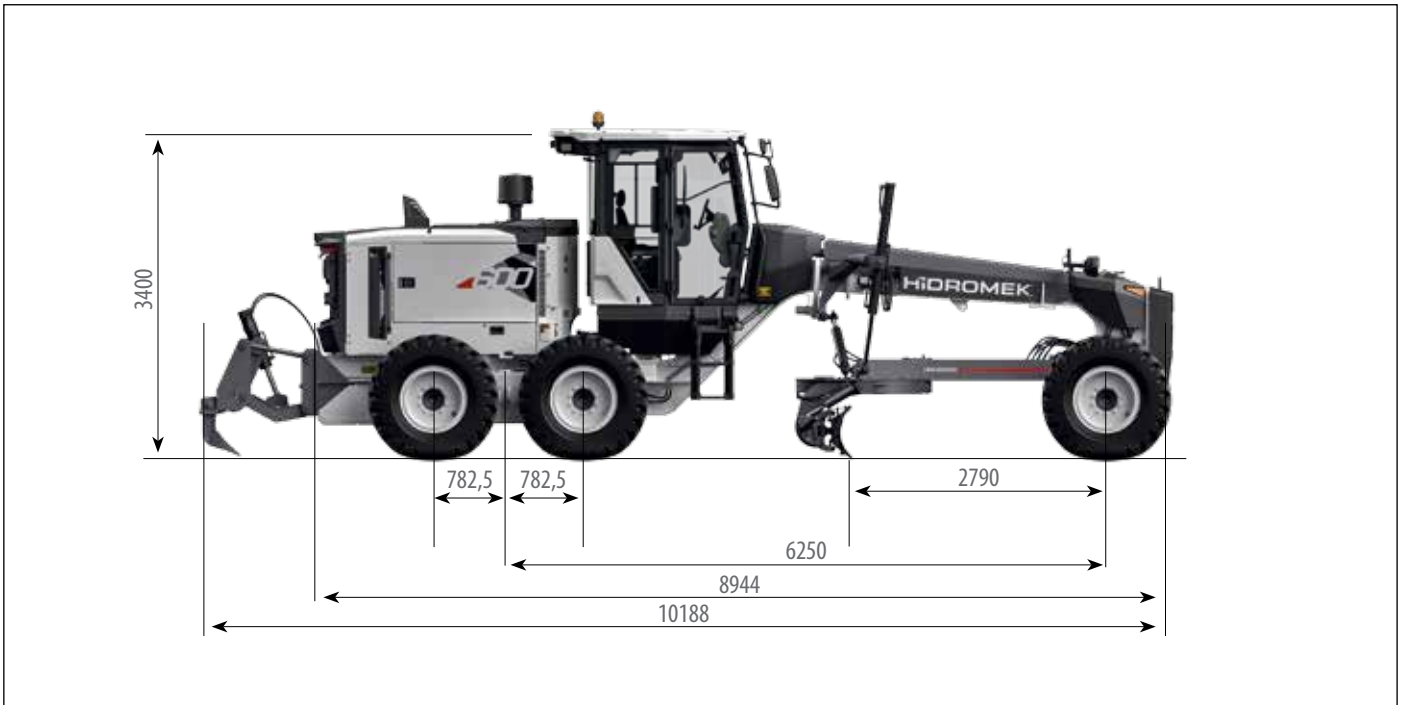
Dimensions (I)

Unit: mm



Dimensions (II)

Unit: mm



HIDROMEK®

FACTORY - HEAD OFFICE

Ahi Evran OSB Mahallesi Osmanlı Caddesi No:1 06935 Sincan / ANKARA / TURKEY
Tel: (+90) 312 267 12 60 Fax: (+90) 312 267 12 39
www.hidromek.com

Notice:

* HIDROMEK has the right to modify the specifications and design of the model indicated on this brochure without prior notice.
* The equipment shown in the photos in this catalog includes some parts which are optional.